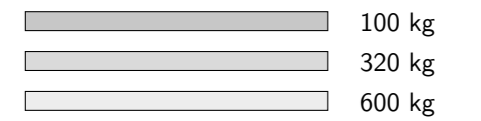
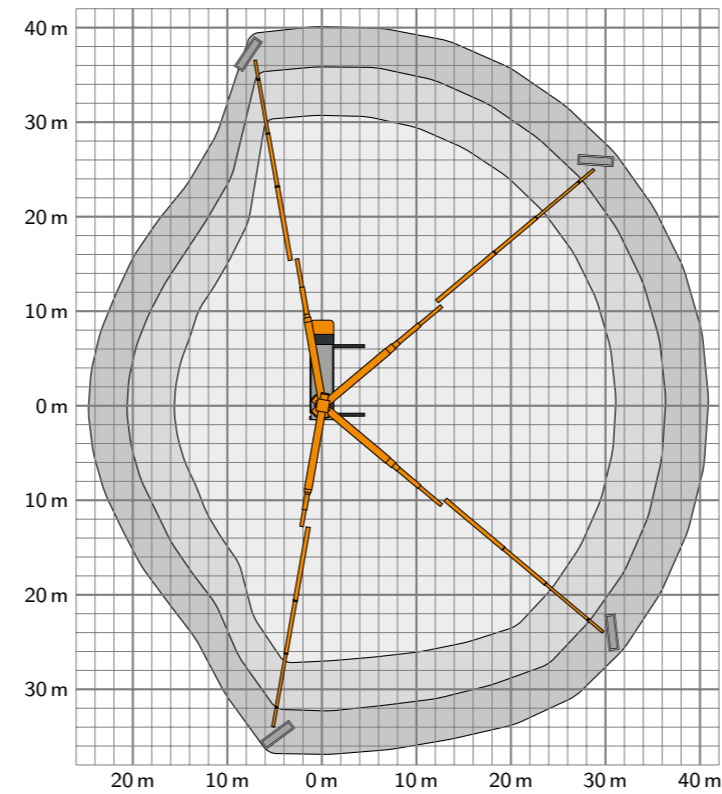
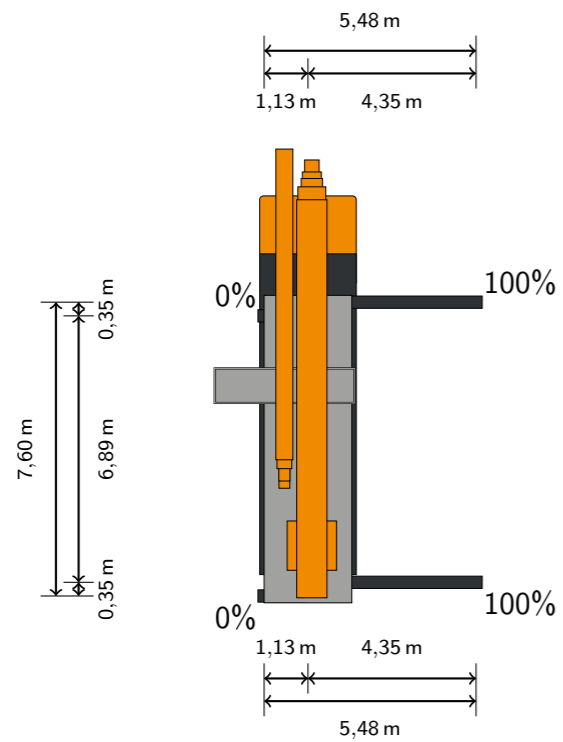
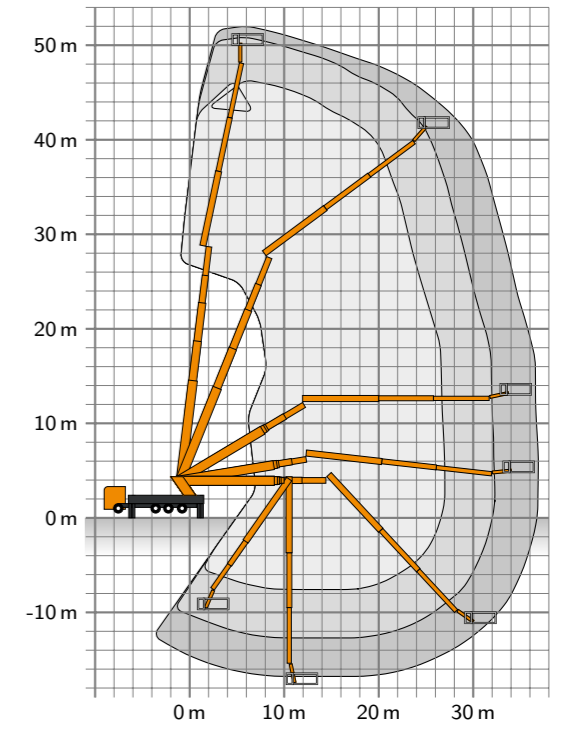
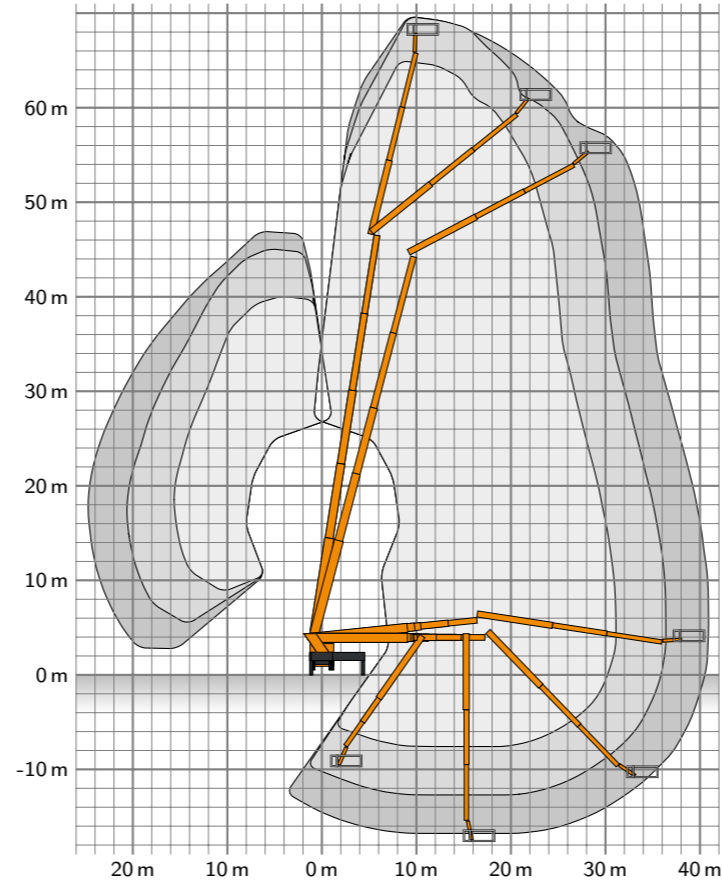
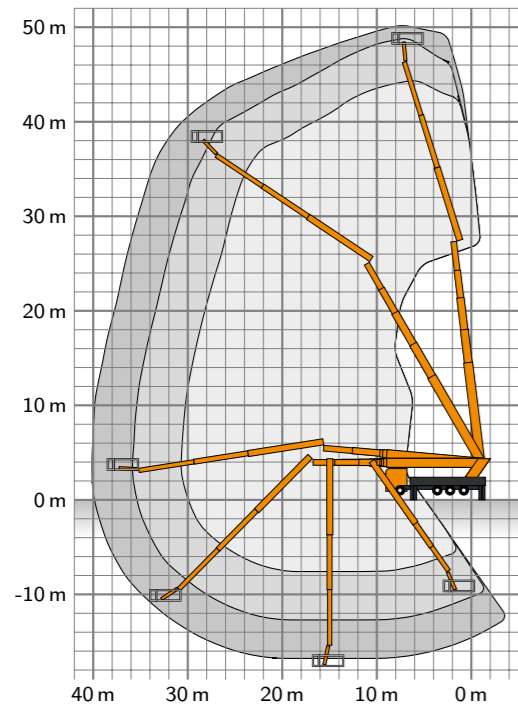

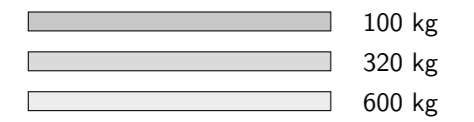
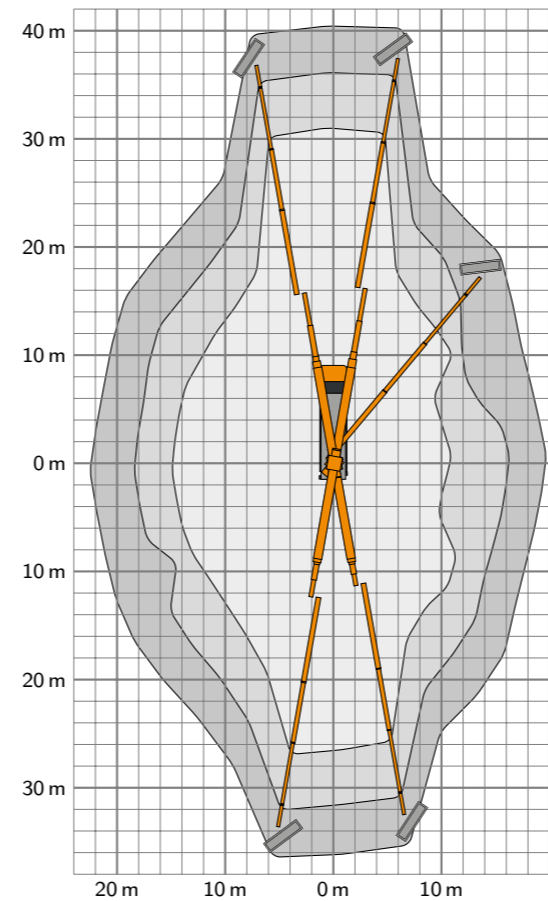
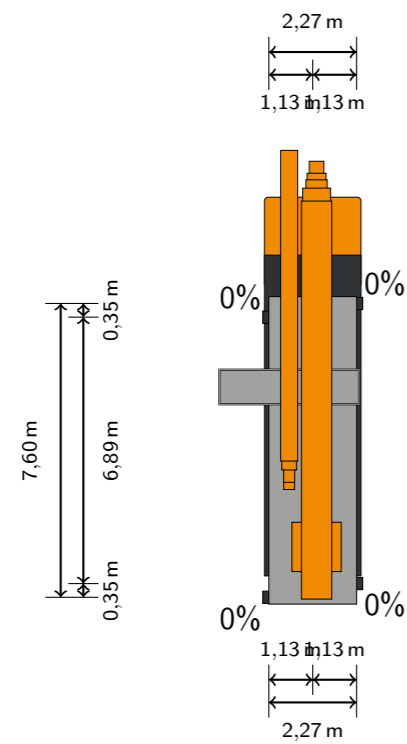
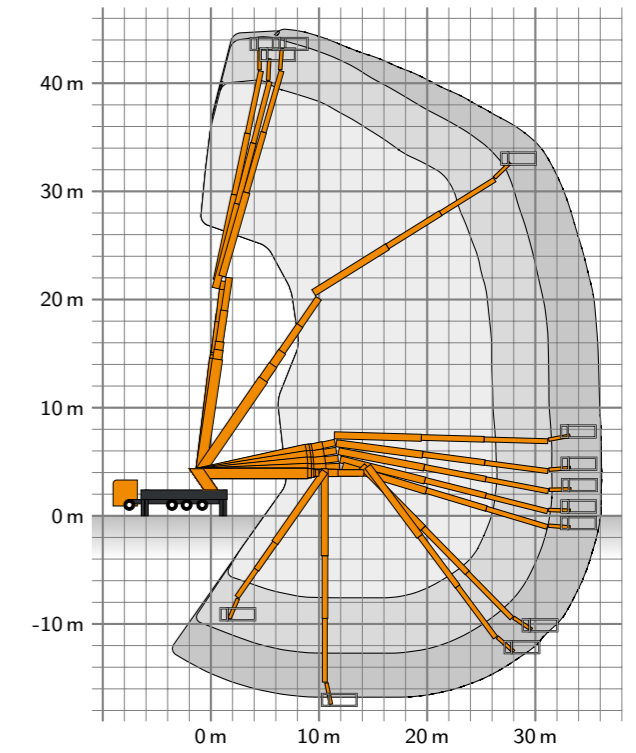
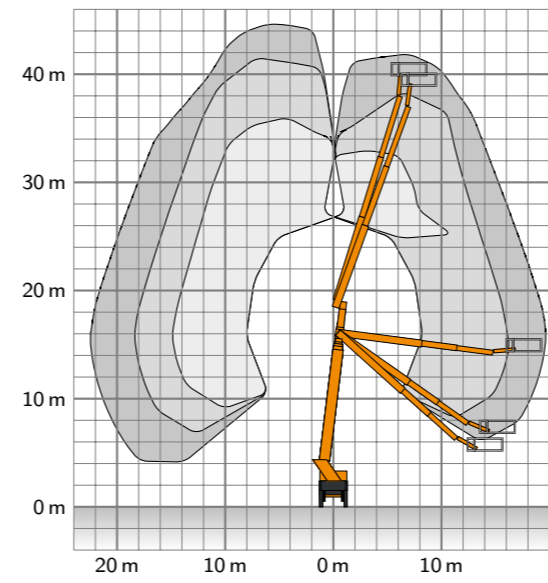
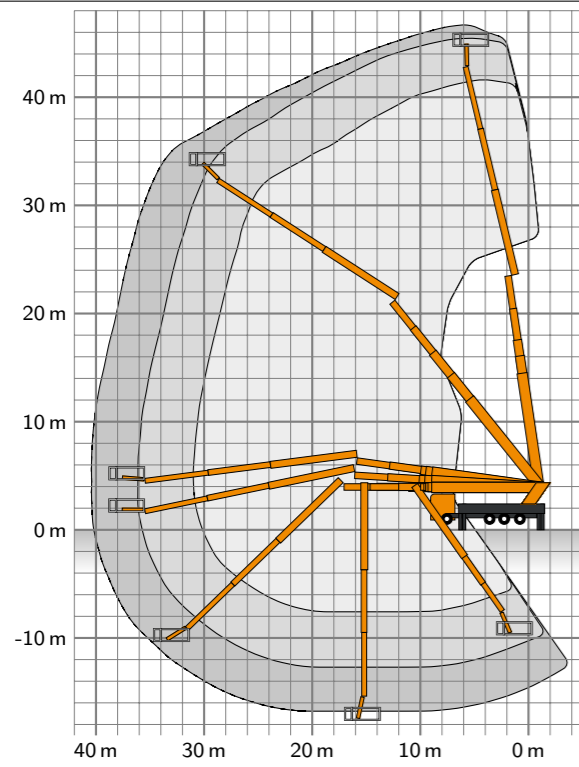


DRS (Dynamic Reach System)		
Description Working area (theoretical) RUTHMANNSTEIGER® T 700 flex Scania P450 B8x4*4NA	Scale	1:800
	Com. No.	-
Ruthmann Gmbh & Co. KG Ruthmannstr. 4 48712 Gescher Germany	Sheet	1
	No. Sheets	3
Date: 4th June 2020	Format: A3	TSA-rok





DRS (Dynamic Reach System)		
Description	Working area (theoretical) RUTHMANNSTEIGER® T 700 flex Scania P450 B8x4*4NA	Scale 1:800
		Com. No. -
Ruthmann Gmbh & Co. KG Ruthmannstr. 4 48712 Gescher Germany	 RUTHMANN professionals at work	Sheet 2
		No. Sheets 3
Date: 4th June 2020	Format: A3	TSA-rok



DRS (Dynamic Reach System)		
Description Working area (theoretical) RUTHMANNSTEIGER® T 700 flex Scania P450 B8x4*4NA	Scale	1:700
	Com. No.	—
Ruthmann GmbH & Co. KG Ruthmannstr. 4 48712 Gescher Germany	Sheet	3
	No. Sheets	3
Date: 4th June 2020	Format: A3	TSA-rok

